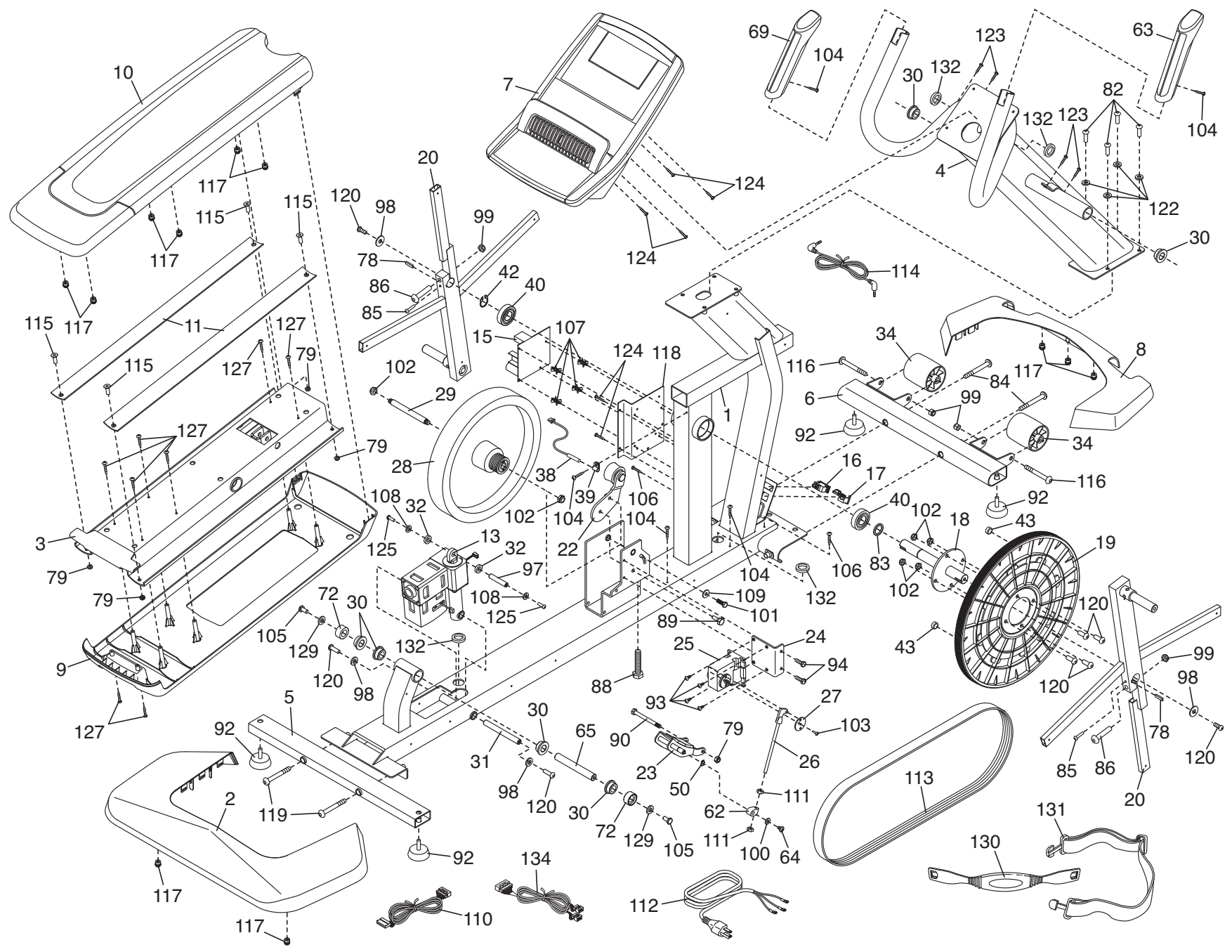


EXPLODED DRAWING B

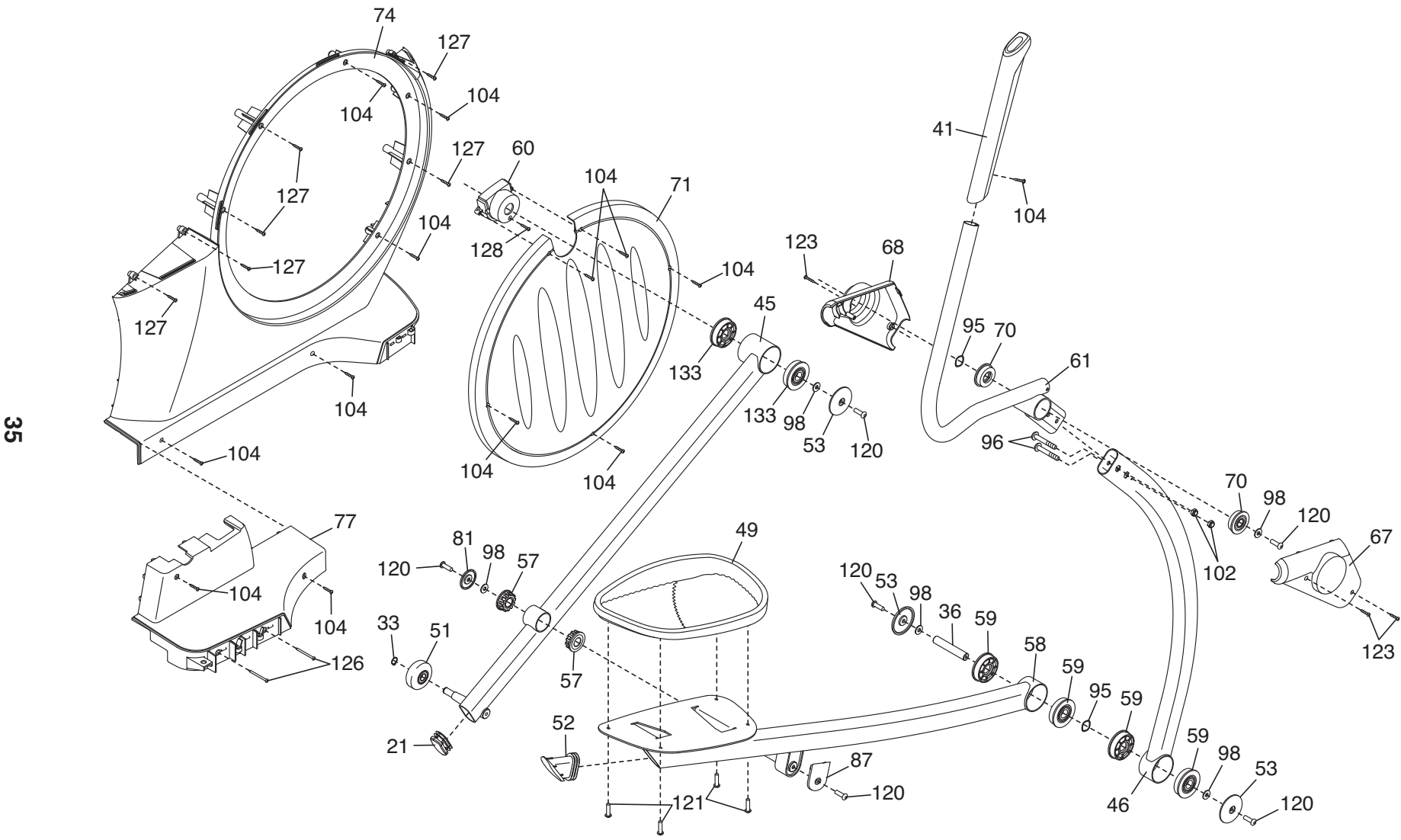
Model No. NTELO1310.0 R1111A

34



EXPLODED DRAWING C

Model No. NTE101310.0 R1111A



35

Bubble#	OEM Number	Description	Qty Used
2	306612	REAR STABILIZER COVER	1
4	307094	UPRIGHT	1
5	306559	REAR STABILIZER	1
6	306562	FRONT STABILIZER	1
8	306611	FRONT STABILIZER COVER	1
9	306623	BOTTOM RAMP COVER	1
10	307799	TOP RAMP COVER	1
11	306606	TRACK	2
13	307095	LIFT MOTOR	1
15	333432	CONTROL BOARD	1
16	186726	POWER SWITCH	1
17	173169	POWER CORD GROMMET	1
18	306596	CRANK	1
19	277369	PULLEY	1
21	306630	ROLLER ARM CAP	2
22	363093	IDLER	1
23	308028	C-MAGNET	1
24	279645	MOTOR BRACKET	1
25	308036	RESISTANCE MOTOR	1
26	304734	RESISTANCE ROD	1
27	241954	RESISTANCE DISC	1
28	307096	FLYWHEEL	1
29	284116	FLYWHEEL AXLE	1
30	143426	PIVOT BUSHING	6
31	306650	LIFT AXLE	1
32	306636	LIFT SPACER	2
33	100488	MEDIUM SNAP RING	2
34	306628	WHEEL	2
35	306648	PIVOT AXLE	1
36	306649	PEDAL ARM AXLE	2
37	306615	WATER BOTTLE HOLDER	1
38	307218	REED SWITCH	1
39	131090	CLAMP	1
40	295804	R14 BEARING	2
42	295991	LARGE SNAP RING	1
43	113842	MAGNET	2
44	306566	LEFT PEDAL ARM	1
45	306585	RIGHT ROLLER ARM	1
46	306555	UPPER BODY LEG	2
47	306546	LEFT UPPER BODY ARM	1
50	304180	SMALL SNAP RING	1
51	306984	ROLLER	2
52	306629	PEDAL ARM CAP	2
54	306618	LEFT OUTER COVER	1
55	306619	LEFT INNER COVER	1
56	306610	LOWER UPRIGHT COVER	1

57	308523	ROLLER ARM BUSHING	4
58	306575	RIGHT PEDAL ARM	1
59	291052	AXLE BUSHING	8
60	311850	CRANK ARM COVER	2
61	306552	RIGHT UPPER BODY ARM	1
62	303952	RESISTANCE BRACKET	1
64	283304	M5 X 7MM SCREW	1
66	306631	LEFT PEDAL ARM COVER	1
67	306616	RIGHT OUTER COVER	1
68	306617	RIGHT INNER COVER	1
70	306646	PIVOT ARM BUSHING	4
71	311851	DISC	2
72	285643	RAMP BUSHING	2
73	307797	LEFT FRONT SHIELD	1
74	307798	RIGHT FRONT SHIELD	1
75	307800	SHIELD COVER	1
76	306945	LEFT REAR SHIELD	1
77	306946	RIGHT REAR SHIELD	1
78	281559	KEY	2
79	254769	M6 LOCKNUT	5
80	306614	REAR UPRIGHT COVER	1
81	348633	ROLLER ARM COVER	2
82	234594	M8 X 19MM PATCH SCREW	4
83	306635	SPACER	1
84	240818	M10 X 90MM PATCH SCREW	2
85	275979	M6 X 12MM HEX PATCH SCREW	2
86	310999	M10 X 58MM HEX BOLT	2
87	306632	RIGHT PEDAL ARM COVER	1
88	281156	BELT ADJUSTMENT SCREW	1
89	208163	PIVOT SCREW	1
90	281148	M6 X 65MM BOLT	1
91	306613	FRONT UPRIGHT COVER	1
92	153280	LEVELING FOOT	4
93	168267	M4 X 12MM SCREW	4
94	234286	MOTOR BRACKET SCREW	2
95	287202	WAVE WASHER	4
96	183870	M8 X 35MM BOLT	4
97	306712	MOTOR AXLE	1
99	275907	M10 LOCKNUT	4
100	183633	M5 WASHER	1
101	281150	IDLER SCREW	1
102	256446	M8 LOCKNUT	10
103	276024	M3.5 X 12MM FLAT HD SCREW	1
105	310520	M8 X 16MM PATCH HEX SCREW	2
106	13423	M4 X 13MM BRIGHT SCREW	2
107	125819	STANDOFF	4
109	14033	LARGE M6 WASHER	1

111	150327	M5 NUT	2
112	31229	POWER CORD	1
113	307097	DRIVE BELT	1
114	215823	AUDIO WIRE	1
115	307188	TRACK SCREW	4
116	303935	M10 X 105MM BUTTON BOLT	2
118	300804	CONTROL BOARD BRACKET	1
119	223809	M10 X 75MM PATCH SCREW	2
120	237612	M8 X 16MM PATCH SCREW	20
121	307256	M6 X 10MM PATCH SCREW	8
122	234325	M8 STAR WASHER	4
123	13322	#8 X 3/4" SCREW	11
124	13576	#8 X 1/2" SCREW	6
125	197037	M6 X 12MM SCREW	2
126	263759	M4 X 75MM SCREW	4
127	251831	M4 X 22MM SCREW	14
128	313138	M4 X 16MM PATCH SCREW	2
129	250868	M8 X 23MM WASHER	2
130	171902	CHEST PULSE TRANSMTR/SNSR	1
131	171904	CHEST STRAP	1
132	129004	1" GROMMET	4
133	306644	CRANK ARM BUSHING	4
134	260951	PULSE WIRE	1
#	116566	15 1/2" CABLE TIE	4
#	307219	30" WIRE, RESISTANCE WIRE	1
#	142711	4" GREEN WIRE, F/R	1
#	101896	4" WHITE WIRE, M/F	1
#	304974	4MM ALLEN WRENCH	1
#	307217	50" WIRE HRNS, LIFT MOTOR	1
#	307216	50" WIRE, LIFT MOTOR	1
#	297256	6MM ALLEN WRENCH	1
#	112083	8" BLUE WIRE, F/F	1
#	16057	8" CABLE TIE	2
#	132315	CABLE CLAMP	3
#	307801	CNSL REPROGRAMMING MODULE	1
#	307060	DECAL, GENERAL WARNING	1
#	172638	FLYWHEEL BEARING	1
#	EXIF12	IFIT WIFI ACCESSORY KIT	1
#	116926	RELEASABLE CABLE TIE	6
#	307795	USER'S MANUAL	1
104A	13162	RSW CLAMP SCREW	1
104B	195562	M4 X 16 MM SCREW	31
117A	286527	SNAP MOUNT ONLY	11
117B	303479	SNAP MOUNT SCREW	11
14A	312296	LEFT PEDAL	1
14B	306626	LEFT PEDAL INSERT	1
41B	307214	RIGHT CONTROL WIRE	1

48A	306637	LEFT CONTROL GRIP	1
48B	307213	LEFT CONTROL WIRE	1
49A	312298	RIGHT PEDAL	1
49B	306627	RIGHT PEDAL INSERT	1
98A	222789	M8 CRANK ARM WASHER	2
98B	261150	M8 X 25MM WASHER	10